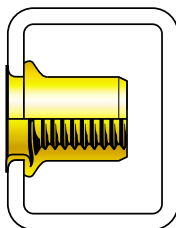


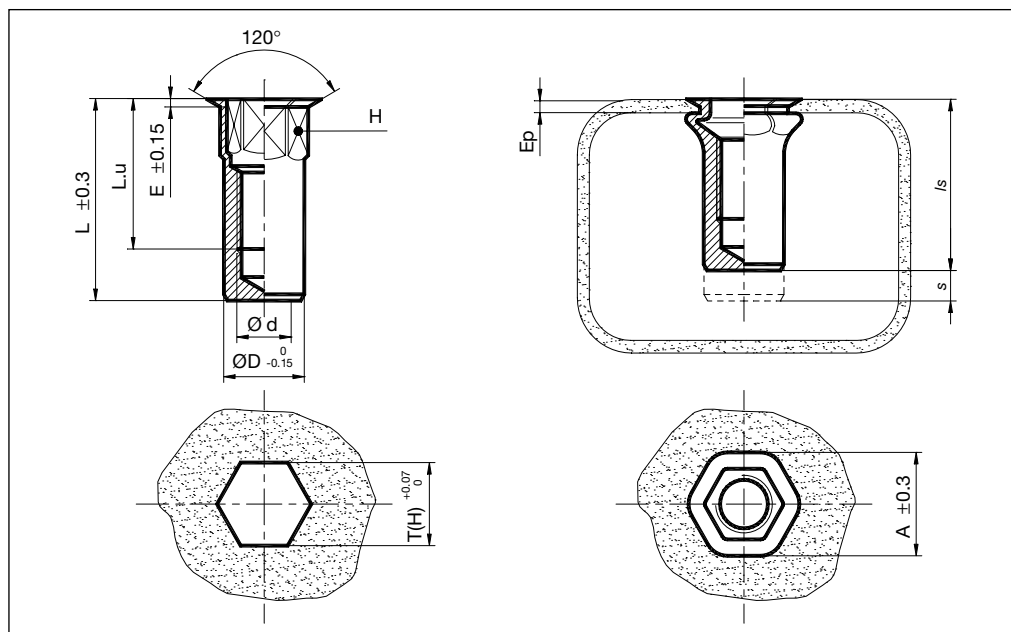
# CLUFIX



## H.fB..

### STAINLESS STEEL

## Blind nut



- Flush head
- Body: Hexagonal closed end
- Material: Stainless steel

Thread $\varnothing d$	Code	Thickness $E_p$	H	T (H) hex hole	A	L	L.u	E	$\varnothing D$	Designation
M 3 x 0,50	GGI03BH11	0,0 - 1,1	5,0	5,0	5,8	10,7	6,7	0,3	5,0	H 3fB11 STAINLESS STEEL
	GGI03BH23	1,0 - 2,3								H 3fB23 STAINLESS STEEL
M 4 x 0,70	GGI04BH13	0,0 - 1,3	6,0	6,0	6,8	14,4	8,0	0,3	6,0	H 4fB13 STAINLESS STEEL
	GGI04BH20	0,5 - 2,0								H 4fB20 STAINLESS STEEL
	GGI04BH30	1,0 - 3,0								H 4fB30 STAINLESS STEEL
	GGI04BH37	2,5 - 3,7								H 4fB37 STAINLESS STEEL
	GGI04BH42	2,5 - 4,2								H 4fB42 STAINLESS STEEL
M 5 x 0,80	GGI05BH15	0,0 - 1,5	7,0	7,0	8,0	16,5	9,5	0,4	7,0	H 5fB15 STAINLESS STEEL
	GGI05BH25	0,0 - 2,5								H 5fB25 STAINLESS STEEL
	GGI05BH35	1,0 - 3,5								H 5fB35 STAINLESS STEEL
M 6 x 1,00	GGI06BH15	0,0 - 1,5	9,0	9,0	10,0	19,9	11,5	0,4	9,0	H 6fB15 STAINLESS STEEL
	GGI06BH35	1,0 - 3,5								H 6fB35 STAINLESS STEEL
M 8 x 1,25	GGI08BH18	0,0 - 1,8	11,0	11,0	12,0	23,3	14,0	0,4	11,0	H 8fB18 STAINLESS STEEL
	GGI08BH50	1,5 - 5,0								H 8fB50 STAINLESS STEEL
M10 x 1,50	GGI10BH32	0,0 - 3,2	13,0	13,0	14,4	31,0	20,0	0,5	13,0	H10fB32 STAINLESS STEEL
	GGI10BH55	2,5 - 5,5								H10fB55 STAINLESS STEEL
M12 x 1,75	GGI12BH42	0,0 - 4,2	16,0	16,0	17,4	34,5	22,2	0,5	16,0	H12fB42 STAINLESS STEEL
	GGI12BH76	4,0 - 7,6								H12fB76 STAINLESS STEEL

Is / s after test according to: - thickness  
-  $\varnothing$  hole  
- material

All the parts are not always in stock.  
Other forms and characteristics, please ask.

Unit: mm

**LA**  
**CLUSIENNE**

**CLUFIX - FASTENERS**

313, RUE LOUIS ARMAND - ZI DES GRANDS PRÉS - BP 220 - 74304 CLUSES CEDEX - FRANCE  
TEL.: (33) 04 50 98 13 13 - FAX: (33) 04 50 98 28 89 - E-MAIL: commercial@clufix.com

November, 2003  
Specifications subject to change without prior notice